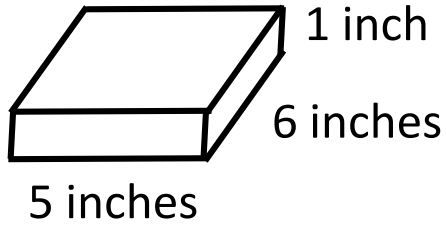


1

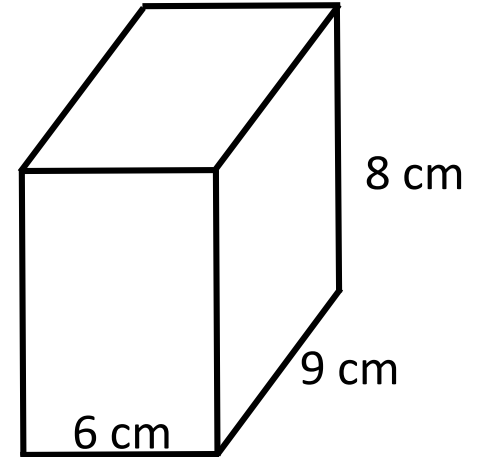
Find the volume.



5.MD.5

2

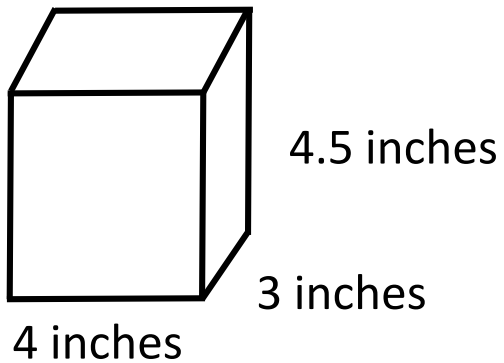
Find the volume.



5.MD.5

3

Find the volume.



5.MD.5

4

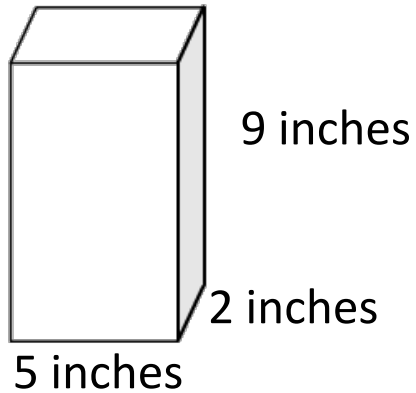
Find the volume.



5.MD.5

5

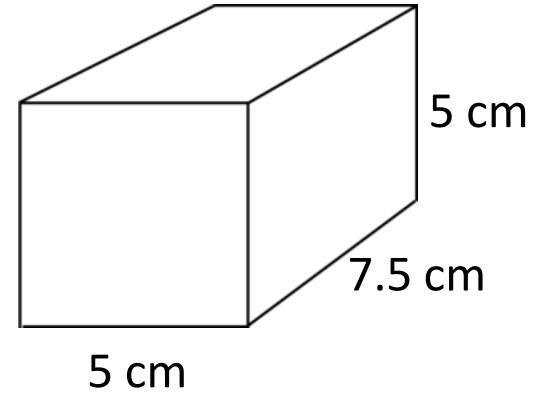
Find the volume.



5.MD.5

6

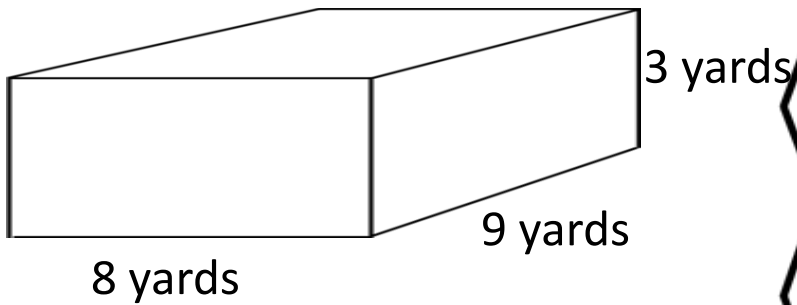
Find the volume.



5.MD.5

7

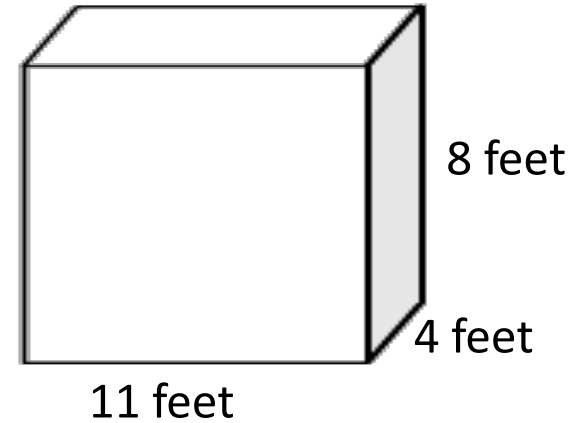
Find the volume.



5.MD.5

8

Find the volume.

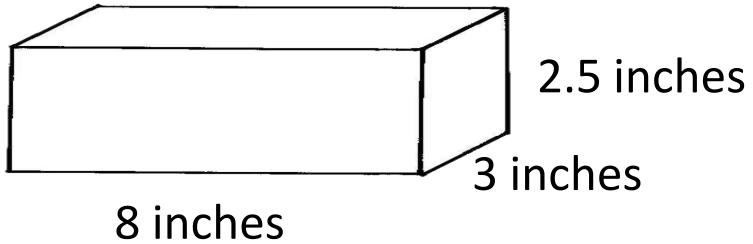


5.MD.5



9

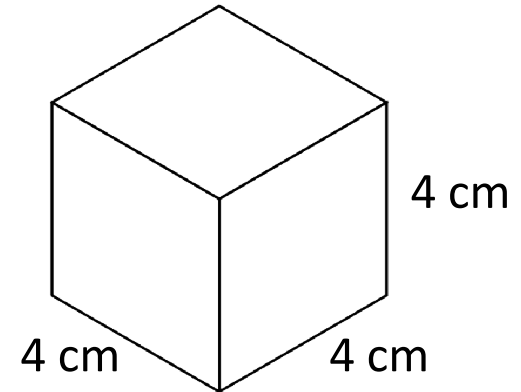
Find the volume.



5.MD.5

10

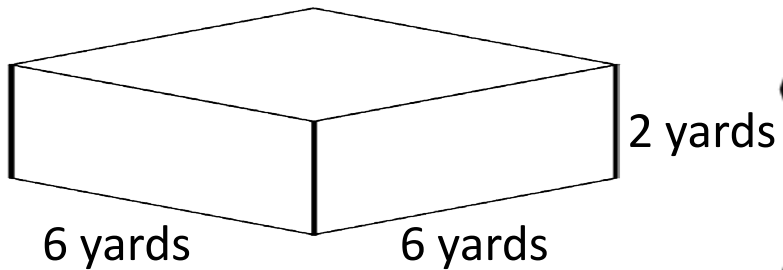
Find the volume.



5.MD.5

11

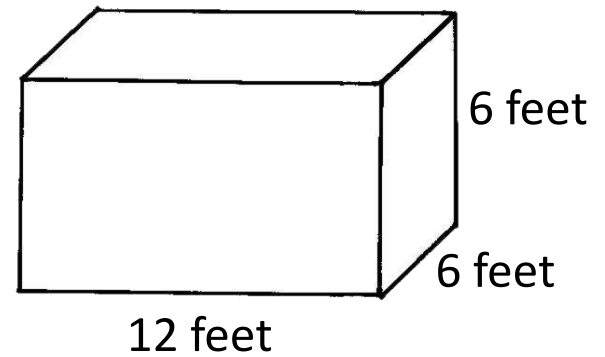
Find the volume.



5.MD.5

12

Find the volume.



5.MD.5

**13**

Jack's garage has a height of 12 feet, a width of 12 feet, and a length of 15 feet. What is the volume of Jack's garage?

**5.MD.5**

**14**

A tissue box is 9 inches long, 5 inches wide, and 3.5 inches tall. What is the volume of the tissue box?

**5.MD.5**

**15**

A brick is 2 inches tall, 4 inches wide, and 8 inches long. What is the volume of this brick?

**5.MD.5**

**16**

Leslie's book is 3 centimeters tall, 8 centimeters wide, and 13 centimeters long. What is the volume of Leslie's book?

**5.MD.5**



**17**

Chris' fish tank has a height of 3 feet, a width of 2 feet, and a length of 5 feet. What is the volume of Chris' fish tank?

**5.MD.5**

**18**

A cereal box has a height of 13 inches, a width of 3 inches, and a length of 9 inches. What is the volume of the cereal box?

**5.MD.5**

**19**

Janet's bedroom is 3 meters tall, 4 meters wide, and 5 meters long. What is the volume of Janet's bedroom?

**5.MD.5**

**20**

A refrigerator is 6 feet tall, 3.5 feet wide, and 3 feet long. What is the volume of the refrigerator?

**5.MD.5**