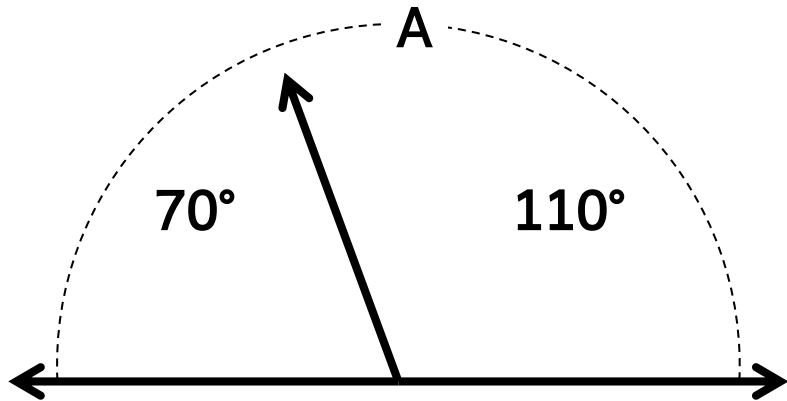


1

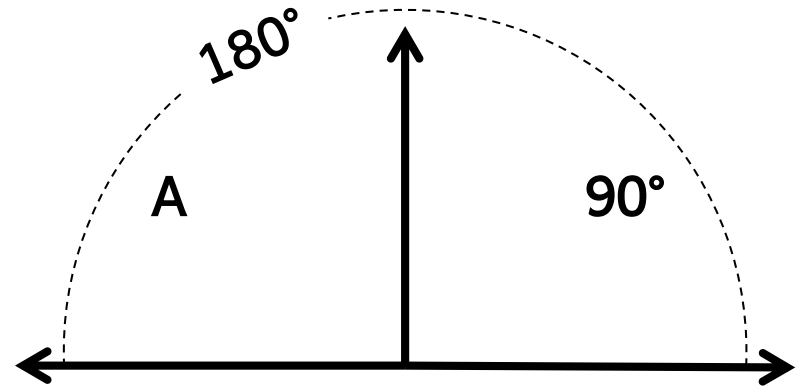
Find the value of the entire angle, 'A'.



4.MD.7

2

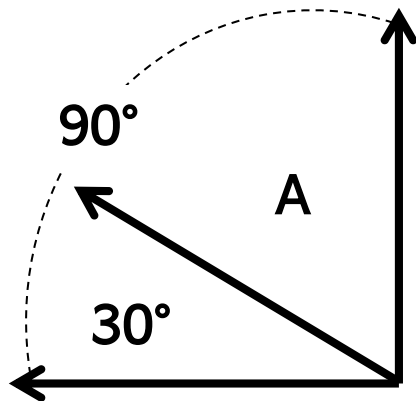
Find the value of angle 'A'.



4.MD.7

3

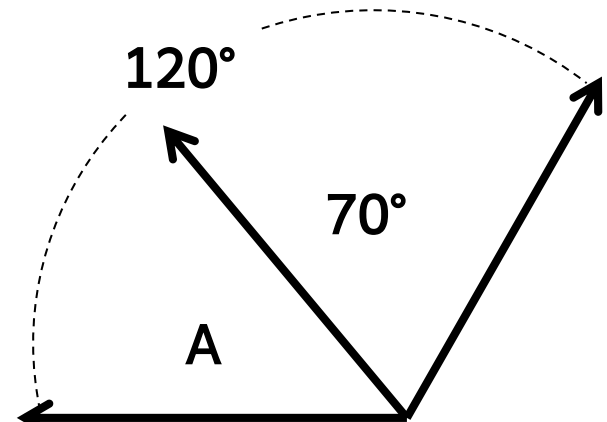
Find the value of angle 'A'.



4.MD.7

4

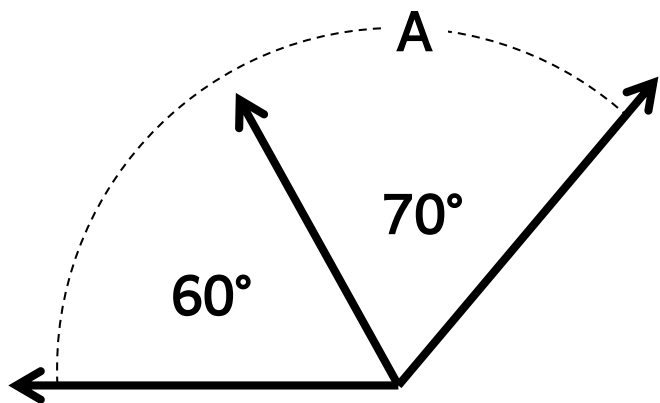
Find the value of angle 'A'.



4.MD.7

5

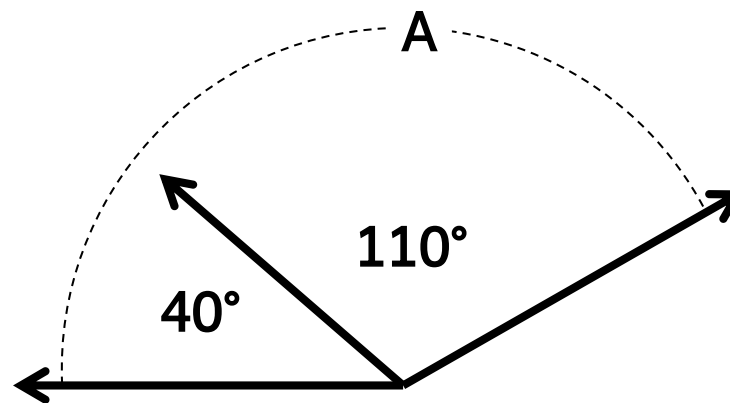
Find the value of the entire angle, 'A'.



4.MD.7

6

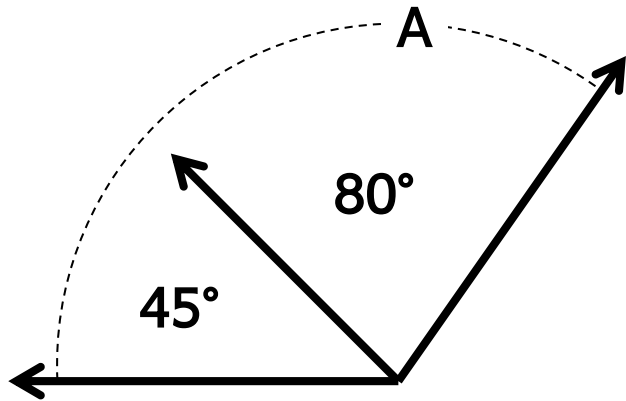
Find the value of the entire angle, 'A'.



4.MD.7

7

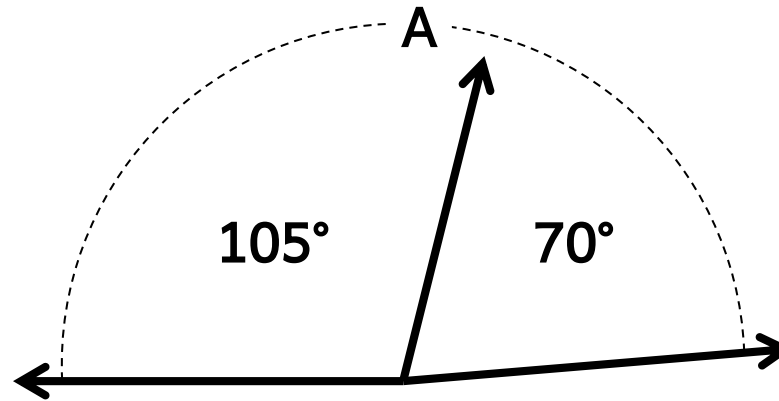
Find the value of the entire angle, 'A'.



4.MD.7

8

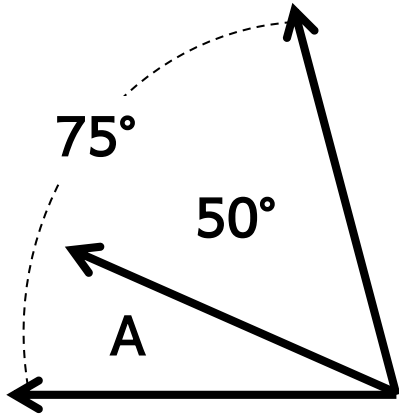
Find the value of the entire angle, 'A'.



4.MD.7

9

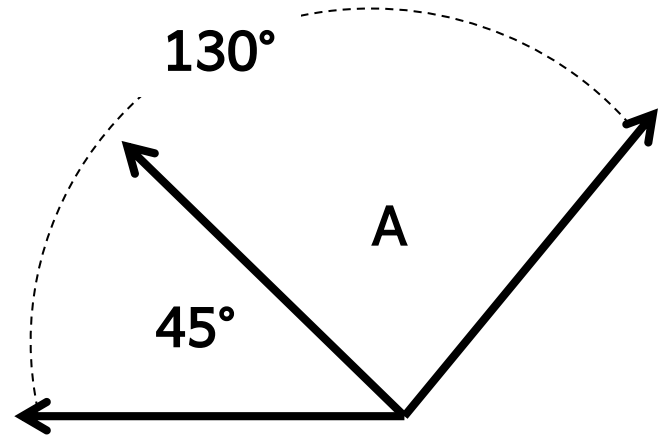
Find the value of angle 'A'.



4.MD.7

10

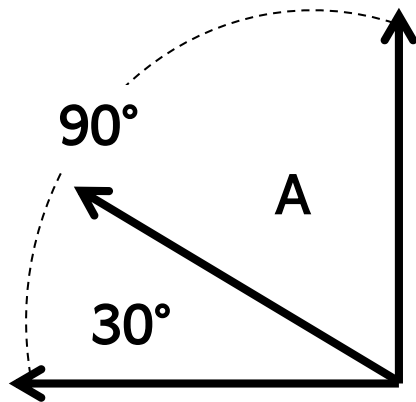
Find the value of angle 'A'.



4.MD.7

11

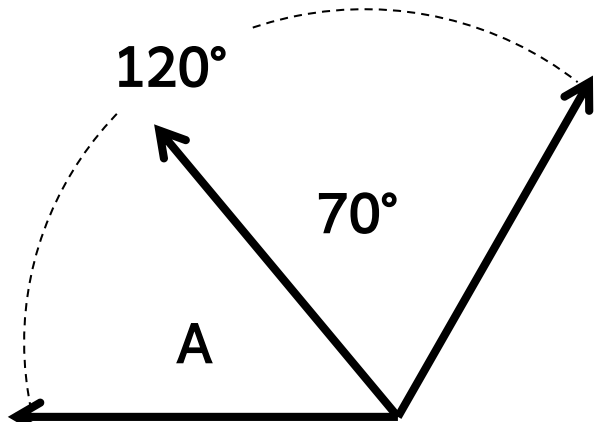
Find the value of angle 'A'.



4.MD.7

12

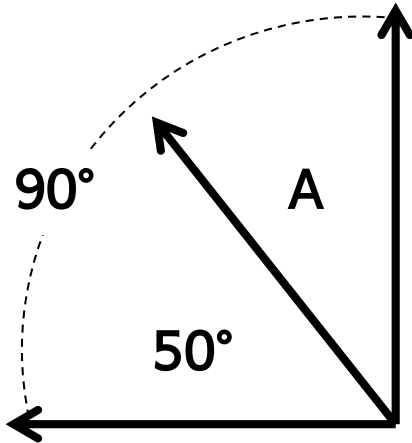
Find the value of angle 'A'.



4.MD.7

13

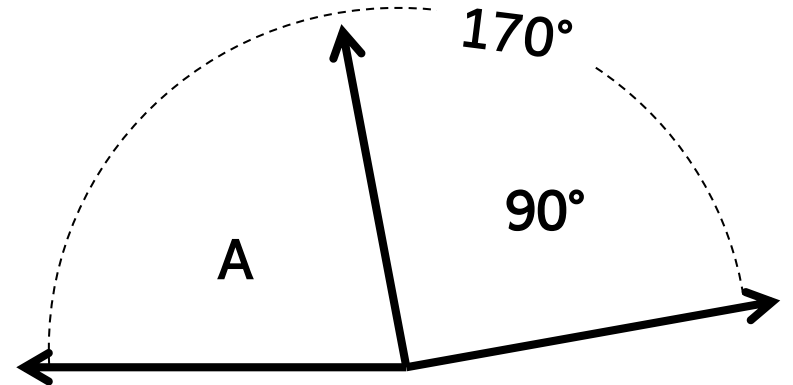
Find the value of angle 'A'.



4.MD.7

14

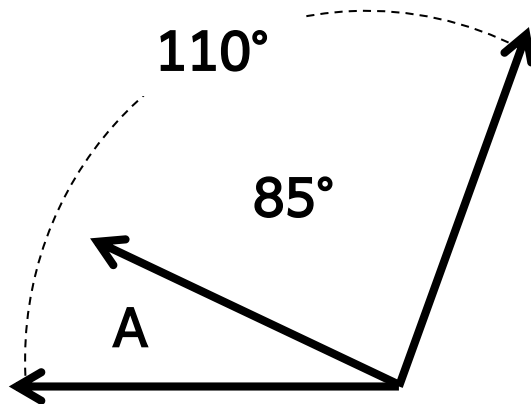
Find the value of angle 'A'.



4.MD.7

15

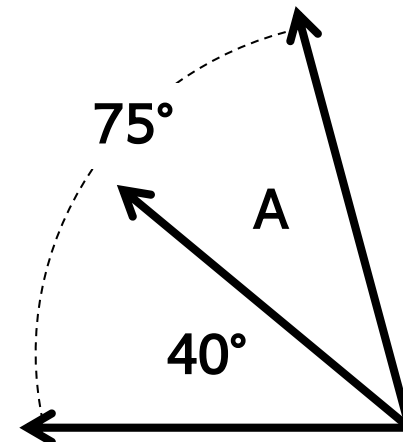
Find the value of angle 'A'.



4.MD.7

16

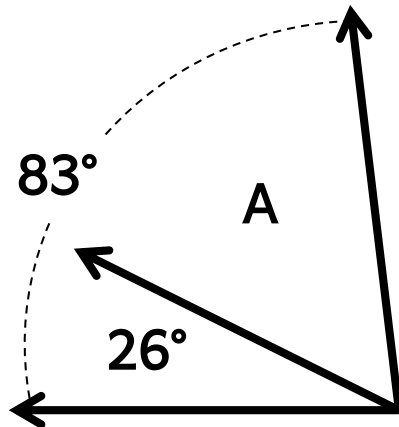
Find the value of angle 'A'.



4.MD.7

17

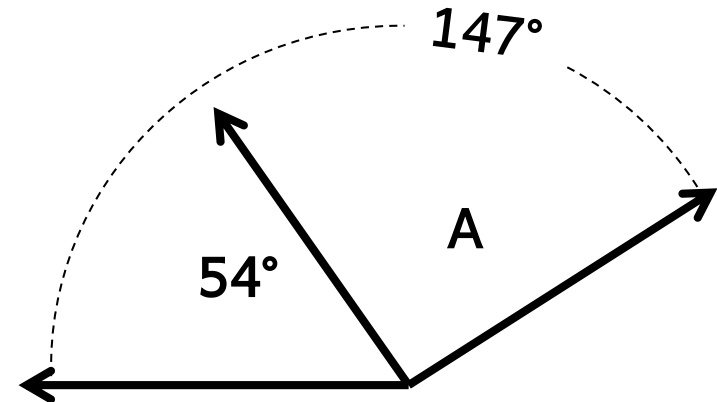
Find the value of angle 'A'.



4.MD.7

18

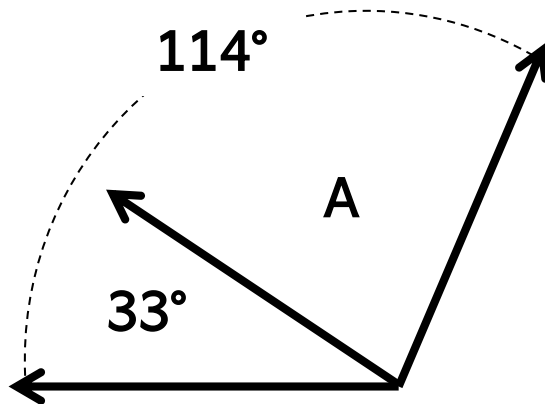
Find the value of angle 'A'.



4.MD.7

19

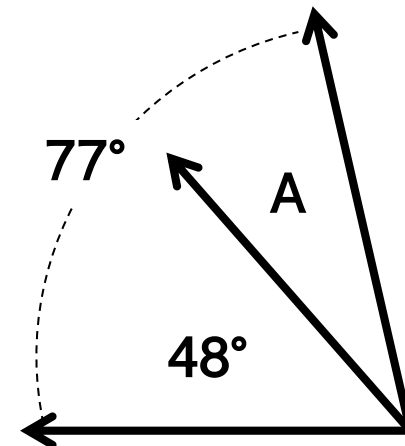
Find the value of angle 'A'.



4.MD.7

20

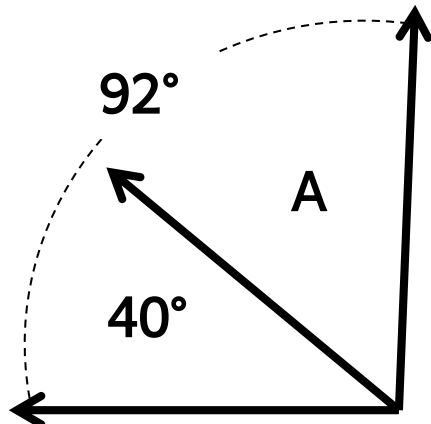
Find the value of angle 'A'.



4.MD.7

21

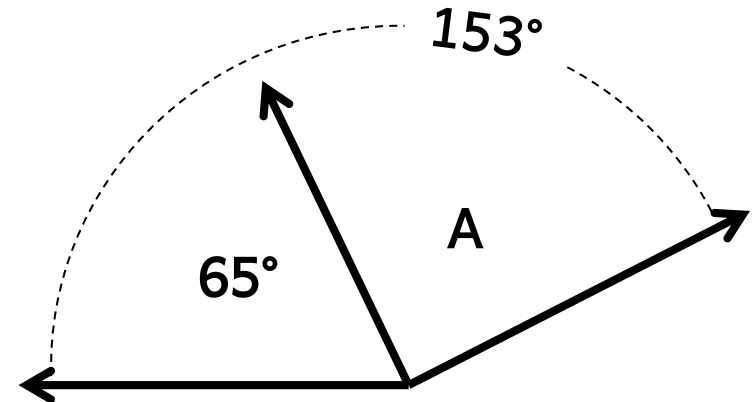
Find the value of angle 'A'.



4.MD.7

22

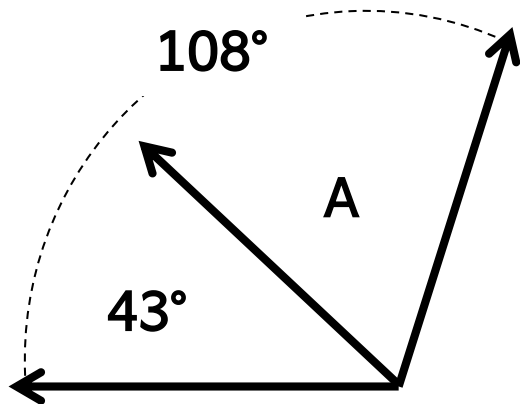
Find the value of angle 'A'.



4.MD.7

23

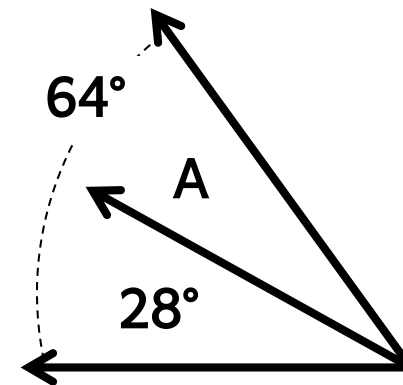
Find the value of angle 'A'.



4.MD.7

24

Find the value of angle 'A'.



4.MD.7